

Product Datasheet

DEC-D-29 DEC-D-29S PPE Decontamination Shower

This walk-through, self-draining decontamination shower features multiple nozzles to assist with the decontamination process. It can be easily sited by a fork lift truck when the location is of a temporary nature. Also available with GRP drain sump. Available with galvanised or 316L stainless steel pipework.



Specifications

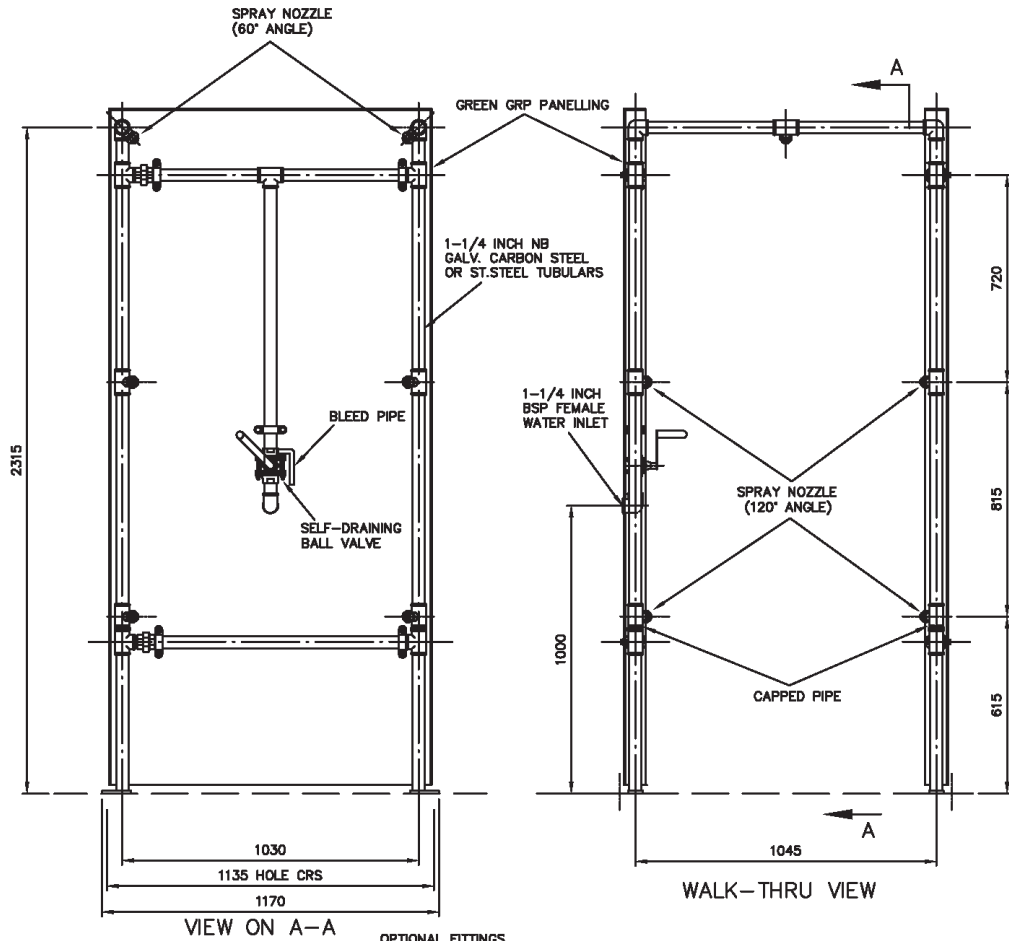
MATERIALS OF CONSTRUCTION	
PIPEWORK AND FITTINGS	Galvanised mild steel (DEC-D-29), 316L stainless steel (DEC-D-29S)
OPERATING VALVES	316L stainless steel
SHOWER SPRAY OUTLET	uPVC
PANELLING	Green heavy duty GRP
SERVICES	
WATER INLET	1 1/2" Female BSP
OPERATING PRESSURE	4 to 6 BAR G (57 to 87 PSI) (higher supply pressures accommodated with the incorporation of the optional pressure reducing valve)
TEST PRESSURE	10.3 BAR G (149 PSI)
MINIMUM FLOW RATES	250 litres/minute minimum (66 US gallons)
ENVIRONMENTAL OPERATING TEMPERATURE	
MINIMUM AMBIENT OPERATING TEMPERATURE	5° C (41° F)
MAXIMUM AMBIENT OPERATING TEMPERATURE	35° C (95° F)
OPERATIONAL	
SHOWER SPRAY NOZZLES	Hand activated
WEIGHTS and DIMENSIONS	
DIMENSIONS (WxDxH)	1110mm (43.7in) x 1300mm (51.2in) x 2400mm (94.5in)
WEIGHT (NO OPTIONS)	160kg (353lbs)

View our Guide to the ANSI/ISEA Z358.1-2014 International Standard for Emergency Eyewash and Shower Equipment at www.hughes-safety.com



DEC-D-29
DEC-D-29S

PPE Decontamination Shower

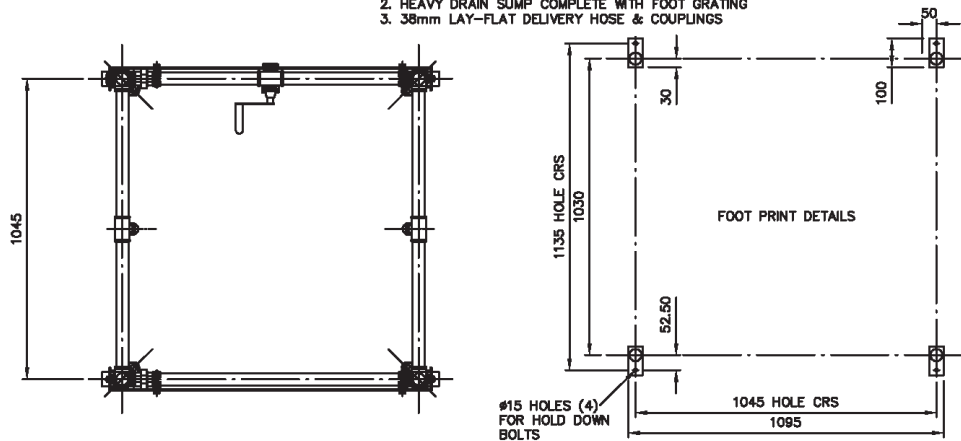


VIEW ON A-A

WALK-THRU VIEW

OPTIONAL FITTINGS.

1. PVC STRIP SCREENS FOR ENTRANCE & EXIT
2. HEAVY DRAIN SUMP COMPLETE WITH FOOT GRATING
3. 38mm LAY-FLAT DELIVERY HOSE & COUPLINGS



FOOT PRINT DETAILS

HUGHES



HUGHES-SAFETY.COM

a Justrite® Group Company

Hughes Safety Showers Ltd, Whitefield Road, Bredbury, Stockport SK6 2SS UK.

Email: info@hughes-safety.com

Tel: +44 (0)161 430 6618

Registered No. 0939240. VAT Registration No. 918 5005 32. Hughes Safety Showers Ltd is a Justrite Group Company.