

Product Datasheet

DEC-V-2 PPE Decontamination Shower



Wall-mounted decontamination shower ideal for use in clean areas typically found in the pharmaceutical industry and where space is at a premium.

A detergent inducing venturi feeds the overhead shower rose and the brush on a flexible hose for a full body, first stage decontamination process while the four shower nozzles provide a secondary wash-down.

Specifications

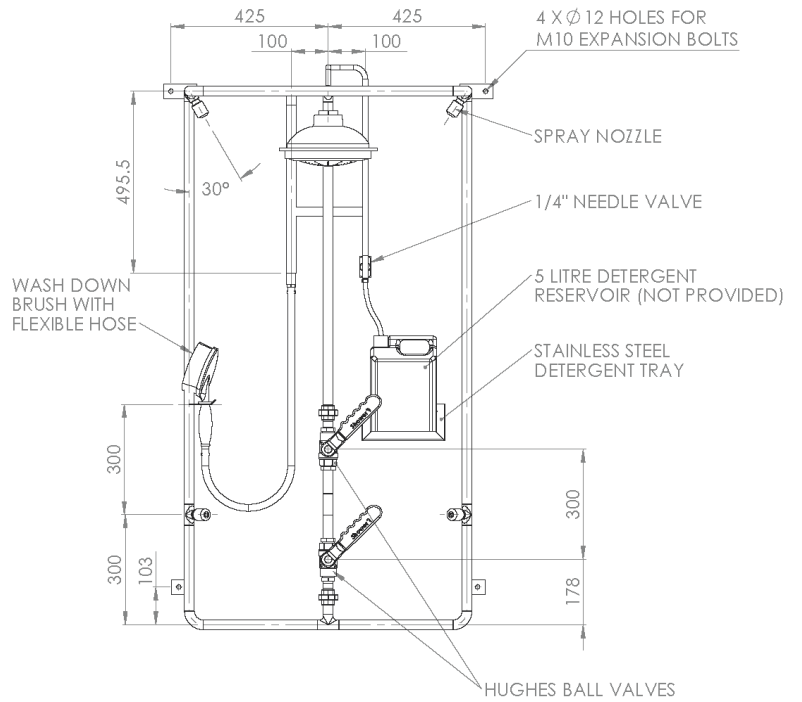
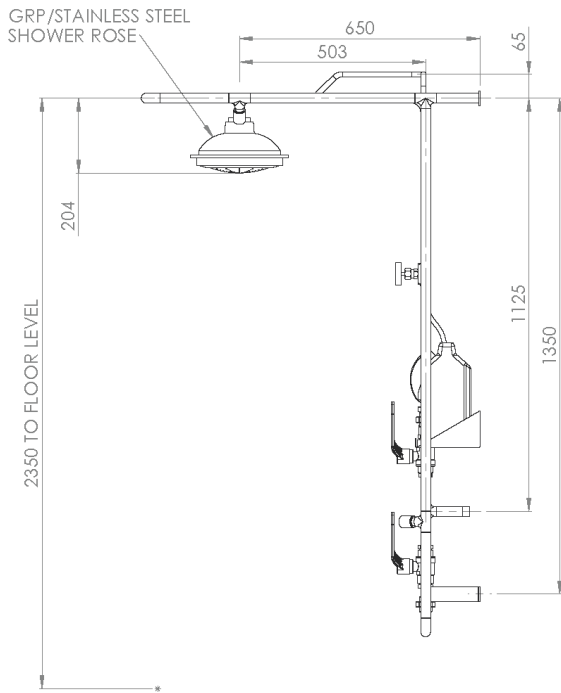
MATERIALS OF CONSTRUCTION	
PIPEWORK AND FITTINGS	Galvanised mild steel
OPERATING VALVES	316L stainless steel
SHOWER SPRAY OUTLET	Shower nozzles and stainless steel shower rose
SERVICES	
WATER INLET	3/4" Female BSP
OPERATING PRESSURE	2.8 to 6 BAR G (40 to 87 PSI) (higher supply pressures accommodated with the incorporation of the optional pressure reducing valve)
TEST PRESSURE	10.3 BAR G (149 PSI)
MINIMUM FLOW RATES	60 litres/minute minimum (16 US gallons)
ENVIRONMENTAL OPERATING TEMPERATURE	
MINIMUM AMBIENT OPERATING TEMPERATURE	5° C (41° F)
MAXIMUM AMBIENT OPERATING TEMPERATURE	35° C (95° F)
OPERATIONAL	
SHOWER SPRAY NOZZLES	Hand activated
HOSE BRUSH	Hand activated
WEIGHTS and DIMENSIONS	
DIMENSIONS (WxDxH)	890mm (35in) x 900mm (35.4in) x 1475mm (58.1in)
WEIGHT (NO OPTIONS)	29kg (63.9lbs)

View our Guide to the ANSI/ISEA Z358.1-2014 International Standard for Emergency Eyewash and Shower Equipment at www.hughes-safety.com

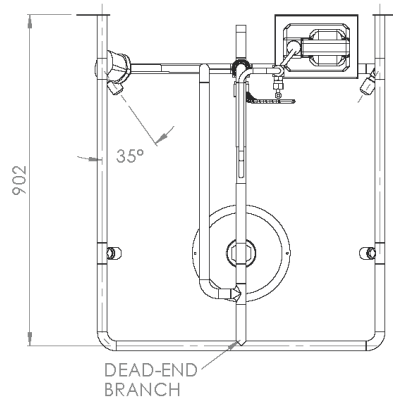
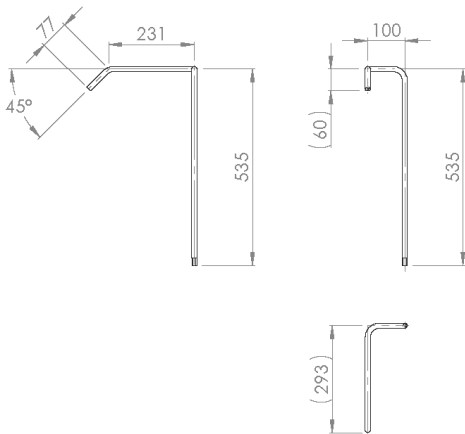


DEC-V-2

PPE Decontamination Shower



DETAIL VIEW OF VENTURI PIPE



HUGHES



HUGHES-SAFETY.COM

a Justrite® Group Company

Hughes Safety Showers Ltd, Whitefield Road, Bredbury, Stockport SK6 2SS UK.

Email: info@hughes-safety.com

Tel: +44 (0)161 430 6618

Registered No. 0939240. VAT Registration No. 918 5005 32. Hughes Safety Showers Ltd is a Justrite Group Company.