

Product Datasheet

STD-40K/45G

Mobile Self-Contained Emergency Safety Shower

The 114 litre capacity unheated mobile self-contained emergency safety shower with eye/face wash unit. Incorporating a polypropylene lined cylinder, a stainless steel frame and large pneumatic tyres, making it easy to manoeuvre by one person. For long distances or uneven surfaces an optional 'A' frame with towing hitch can be fitted. In addition, the wheel spacing can be altered allowing the unit to fit through standard door openings.



Specifications

MATERIALS OF CONSTRUCTION

PIPWORk & FITTINGS	316L Stainless steel
OPERATING VALVE	316L Stainless steel
SHOWER SPRAY OUTLET	Machine moulded nylon 6
STANDARD FINISH	White gloss painted tank

SERVICES

WATER INLET	1/2" coupling
DESIGN OPERATING PRESSURE	1.2 BAR G - PRE SET (17 PSI)
TEST PRESSURE	10.3 BAR G (149 PSI)
MINIMUM FLOW RATES	Shower: 76 litres/minute minimum (20 US Gallons). Eye/face wash: 12 litres/minute minimum (3 US Gallons)

ENVIRONMENTAL OPERATING TEMPERATURE

MINIMUM AMBIENT OPERATING TEMPERATURE	5° C (41° F)
MAXIMUM AMBIENT OPERATING TEMPERATURE	35° C (95° F)

ACTIVATION/OPERATION

SHOWER/BODY SPRAY OPERATION	Hand lever
EYE/FACE WASH OPERATION	Pull lid forward

WEIGHTS and DIMENSIONS

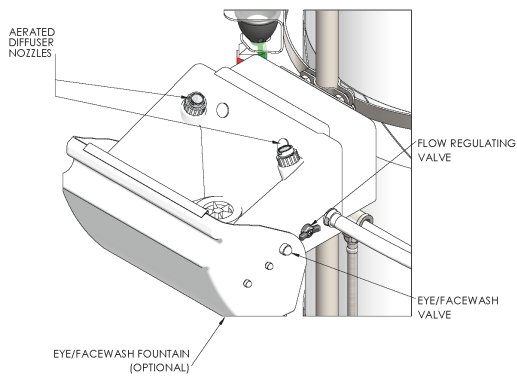
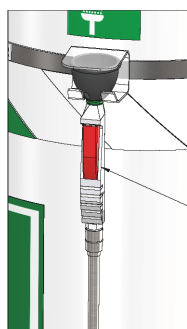
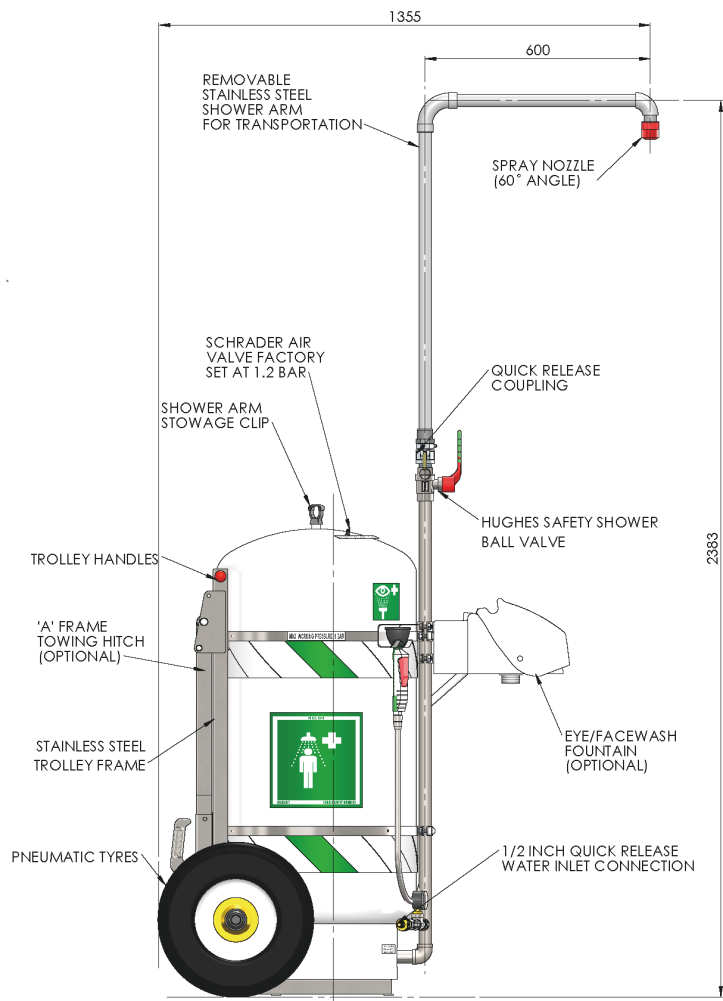
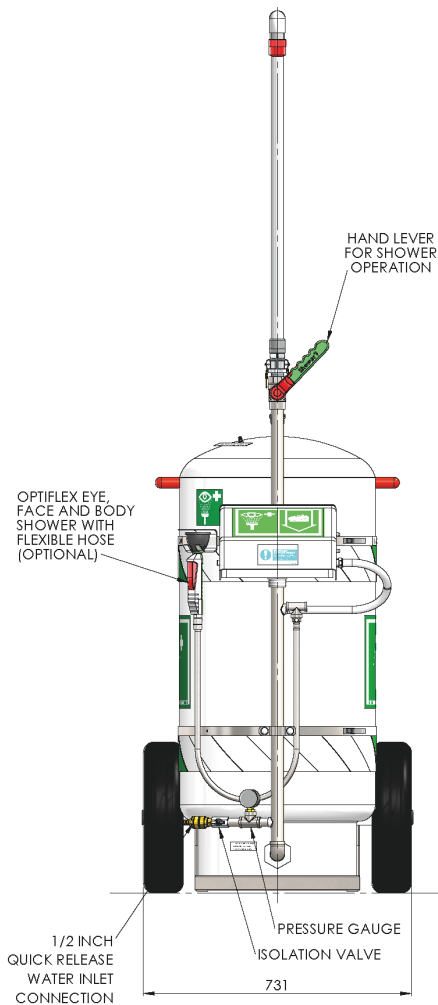
DIMENSIONS (WxDxH)	Non-assembled: 740mm (29.1in) x 1110mm (43.7in) x 1450mm (57.1in) Assembled: 740mm (29.1in) x 1365mm (53.7in) x 2400mm (94.5in)
WEIGHT	80kg (176lb)
CAPACITY	114 litre (30 US Gallons)

View our Guide to the ANSI/ISEA Z358.1-2014 International Standard for Emergency Eyewash and Shower Equipment at www.hughes-safety.com



STD-40K/45G

Mobile Self-Contained Emergency Safety Shower



HUGHES



HUGHES-SAFETY.COM

a Justrite® Group Company

Hughes Safety Showers Ltd, Whitefield Road, Bredbury, Stockport SK6 2SS UK.

Email: info@hughes-safety.com

Tel: +44 (0)161 430 6618

Registered No. 0939240. VAT Registration No. 918 5005 32. Hughes Safety Showers Ltd is a Justrite Group Company.